

Pallet Fork



Optional Bolt in
Center Section
Shown



Skid Loader Attachments

Features

- 2700lbs / 5500 lbs / 6200 lbs Capacity Models Available
- 48" wide Brick Guard
- Walk Through Brick Guard on some Models with optional Bolt in center section
- Tine width Adjustable from 8" to 47"
- Fork Tines are Flush with front of Brick Guard for better load support
- Heavy Duty top and bottom Rails
- Tine Length 42" / 48" / 60"
- 2700# Tine are 3" Wide and 1-3/16" Thick
- 5500# Tine are 4" Wide and 1-1/2" Thick
- 6200# Tine are 4" Wide and 1-3/4" Thick
- Other Mounts Available



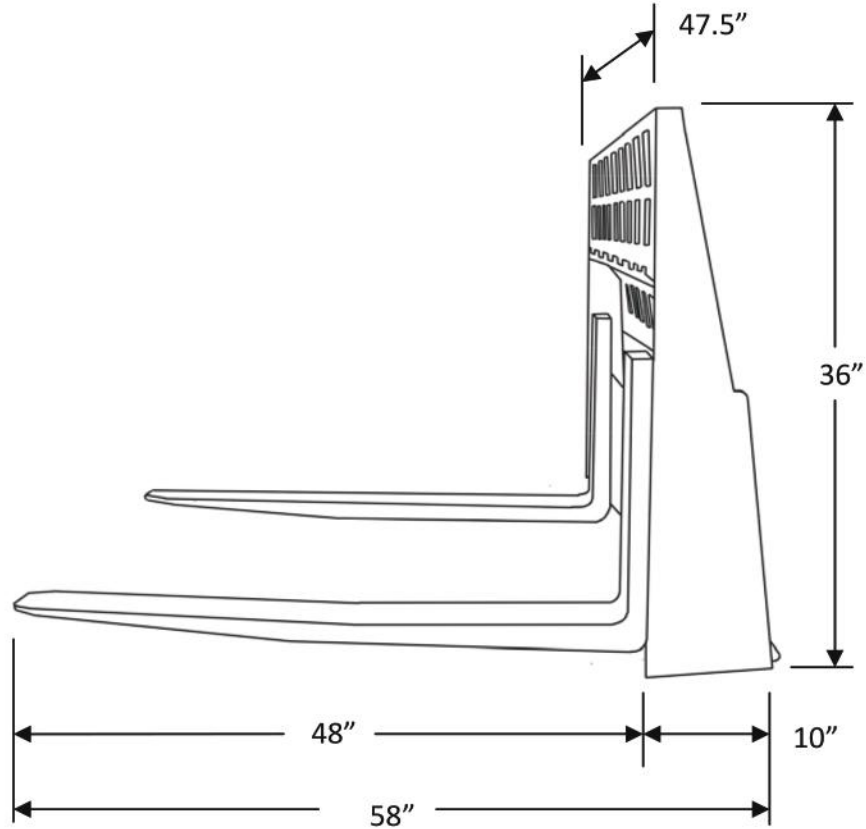
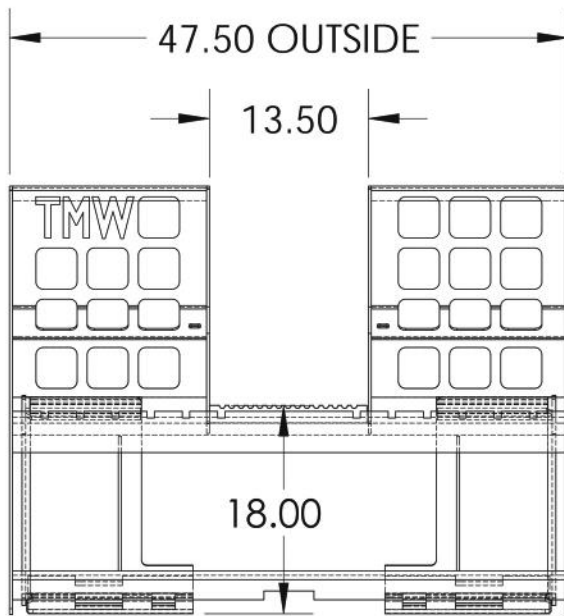
www.tmwattachments.com



Pallet Fork Specifications

Model	PF242	PF548	PFW548	PF648	PFW648
			Walk Thru		Walk Thru
Walk Thru Back Frame	NA	NA	Yes	NA	Yes
Overall Length (front to back)	52"	58"	58"	58"	58"
Overall Width	47-1/2"	47-1/2"	47-1/2"	47-1/2"	47-1/2"
Overall Height	36"	36"	36"	36"	36"
Tine Width	3"	4"	4"	4"	4"
Tine Thickness	1-3/16"	1-1/2"	1-1/2"	1-3/4"	1-3/4"
Fork Length	42"	48"	48"	48"	48"
Weight	275 lbs	420 lbs	426 lbs	455 lbs	465 lbs
Load Rating @ 24" out	2700 lbs	5500 lbs	5500 lbs	6200 lbs	6200 lbs
Quick Tach Mount Universal	Yes	Yes	Yes	Yes	Yes
Options					
Other Mounts Available	Yes	Yes	Yes	Yes	Yes
Other Tine Lengths Available	No	Yes	Yes	Yes	Yes
Brick Guard Center Bolt in Section	NA	NA	Yes	NA	Yes

Designed to be used on skid steer loaders with 1300 lb or more lifting capacity. Specifications and designs are subject to change without notice.



Your TMW Dealer



522 Meeker Avenue • East Eden Valley, MN 55329
www.tmwattachments.com

