

Industrial Material Grapple



Optional Tooth Bar



Makes easy work of difficult industrial material during the demolition and clean-up process.

- Clean-Up
- Demolition
- Scrapping
- Grabbing
- Waste Removal
- Handles Odd Shapes

Made in U.S.A

Thielen Machine & Welding
TMW

The Industrail Material Grapple is the ideal attachment for demolition and clean-up!

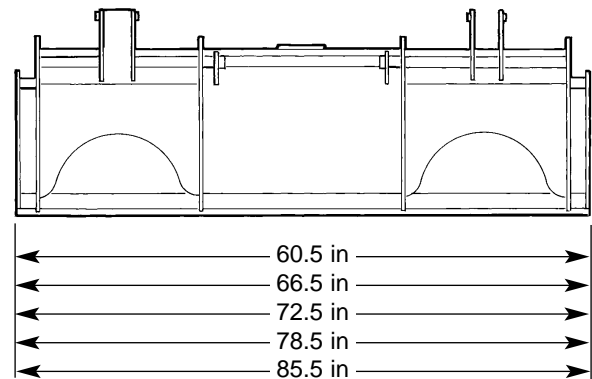
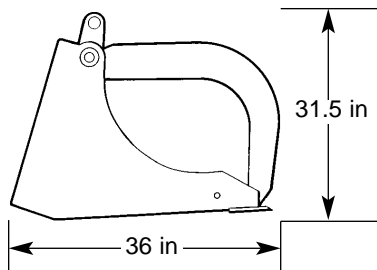
Attachments
320-453-3525

Skid Loader Attachments

Industrial Material Grapple Specifications

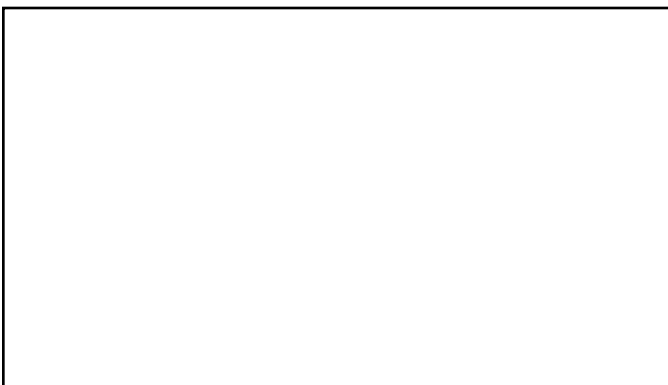
Model	IMG60	IMG66	IMG72	IMG78	IMG84
Overall Bucket Width	60.5"	66.5"	72.5"	78.5"	85.5"
Depth of Bucket	36"	36 "	36 "	36 "	36 "
Height of Bucket Back	24.5"	24.5 "	24.5 "	24.5 "	24.5 "
Height w/ Grapple Closed	31.5"	31.5"	31.5"	31.5"	31.5"
Overall Grapple Width	55"	61"	67"	67"	67"
Grapple Width Each	21.5"	21.5"	21.5"	21.5"	21.5"
Grapple Opening	37.5"	37.5"	37.5"	37.5"	37.5"
Approx Weight of Attachment	832 lb	855 lb	895 lb	928 lb	965 lb
Cutting Edge of 1060 Material	3/4" X 6"	3/4" X 6"	3/4" X 6"	3/4" X 6"	3/4" X 6"
Cylinder Specifications					
Bore	2.5"	2.5"	2.5"	2.5"	2.5"
Stroke	10"	10"	10"	10"	10"
Rod Diameter	1.25"	1.25"	1.25"	1.25"	1.25"
Hydraulic Hoses 4500 PSI					
Nylon Hose Protector Sleeves					
Options					
Optional Bolt on Cutting Edge (3/4" x 8" Double Bevel)					
Optional Bolt on Tooth Bar (With Replaceable Tips)					

Industrial Material Grapple Bucket



- Designed to be used on skid steer loaders with 1300 lb or more lifting capacity.
- Specifications and designs are subject to change without notice.

Your **TMW Dealer**



522 Meeker Ave. E. • Eden Valley, MN 55329