

Concrete Bucket with Hydraulic Chute



Non-Hydraulic Chute



Makes easy work of delivering concrete, gravel or sand to those hard to reach locations on any job site.

- Perfect for Your Landscaping Projects
- Solves Nearly any Placement Challenge
- Use for Concrete, Gravel or Sand
- Hydraulic /Non-Hydraulic Chute Options

Thielen Machine & Welding
TMW

The Concrete Bucket is the ideal attachment for accurate placement of concrete in any situation !

Attachments

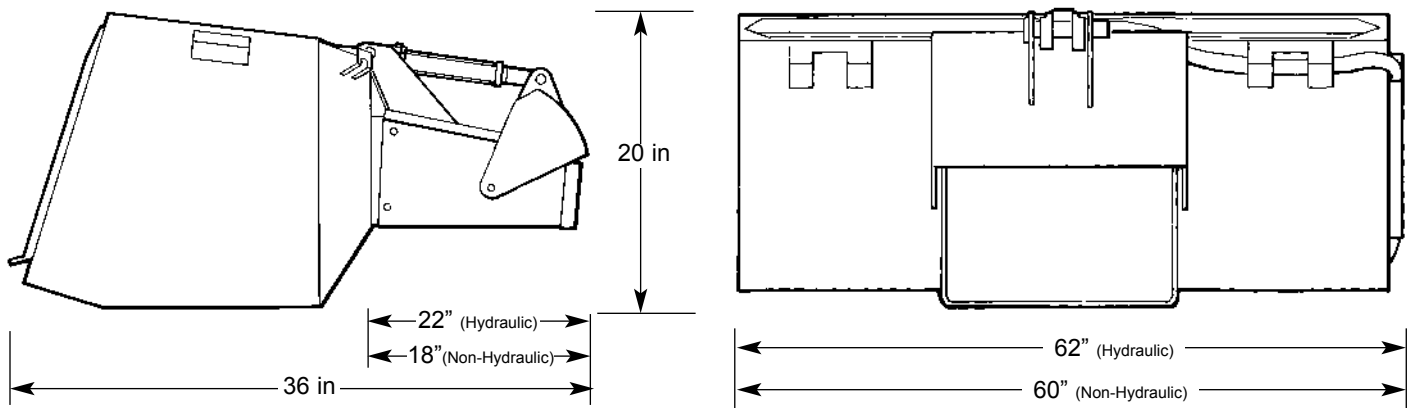
320-453-3525

Skid Loader Attachments

Concrete Bucket Specifications

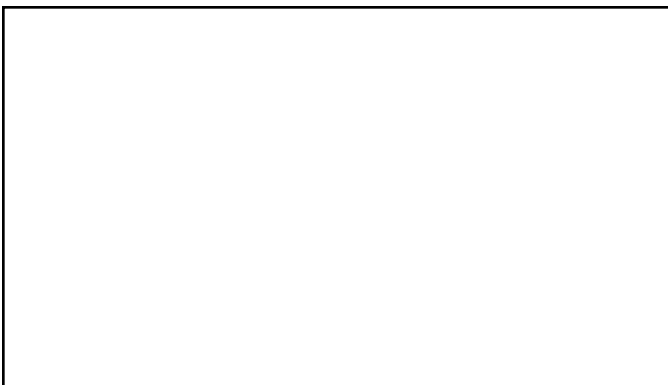
Model	Non-Hydraulic Chute	Hydraulic Chute
Capacity	1/2 Yard	1/2 Yard
Overall Bucket Width	60"	62"
Depth of Bucket	36"	36"
Height of Bucket	20"	20"
Approx Weight	380 lbs	420 lbs
Chute Opening	12" x 12"	7 1/2" x 12"
Chute Length	18"	22"
Chute Extension Length	24"	
Chute Funnel Extension Discharge Width	6"	
Cylinder Specification		
Bore		2"
Stroke		8"
Rod Diameter		1"
Hydraulic Hoses 4500 PSI		
Nylon Hose Protector Sleeves		

Concrete Bucket Dimensions



- Designed to be used on skid steer loaders with 1300 lb or more lifting capacity.
- Specifications and designs are subject to change without notice.

Your TMW Dealer



522 Meeker Ave. E. • Eden Valley, MN 55329