

Strait Trac Angle Broom



Features

- Ideal for Sweeping Side Walks or Streets
- Broom has a Center Pivot Keeping Broom Directly in front of Loader when Angled
- Spring Loaded Free Floating Bristles
- Storage Stand to keep Weight off Bristles when disconnected from Loader
- Hydraulic Motor Direct Drive

The Strait Trac Angle Broom is an Ideal Attachment for Quick Clean-up in any application

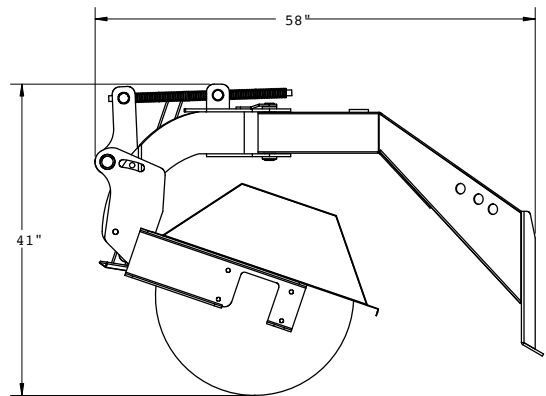
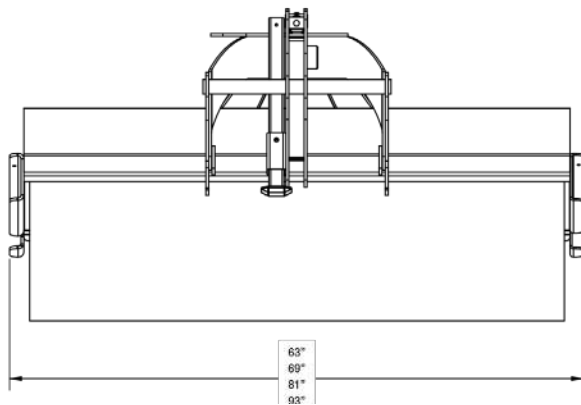


Strait Trac Angle Broom

Strait Trac Broom

Specifications

Model	ABCP54	ABCP60	ABCP72	ABCP84
Overall Width - Straight	61"	67"	79"	91"
-Fully Angled 30 deg.	63"	69"	81"	93"
Sweeping - Straight	54"	60"	72"	84"
-Fully Angled 30 deg.	42"	48"	60"	72"
Over All Height	41"	41"	41"	41"
Over All Depth (Front to Back)	58"	58"	58"	58"
Bristle Diameter	26"	26"	26"	26"
No. of Bristles - Zig-Zag	25	30	35	40
Bristle Material - Standard	Polypropylene	Polypropylene	Polypropylene	Polypropylene
-Optional	Poly/Steel Mix	Poly/Steel Mix	Poly/Steel Mix	Poly/Steel Mix
Drive System	Hyd. MotorDirect Drive	Hyd. MotorDirect Drive	Hyd. MotorDirect Drive	Hyd. MotorDirect Drive
Hydraulic Flow -Min/Max	15/35 GPM	15/35 GPM	15/35 GPM	15/35 GPM
Hydraulic Pressure Max	3500 PSI	3500 PSI	3500 PSI	3500 PSI
Travel Direction	Forward	Forward	Forward	Forward
Broom Angling	Manual or Hydraulic	Manual or Hydraulic	Manual or Hydraulic	Manual or Hydraulic
Angle Control	12 Volt Wiring Kit	12 Volt Wiring Kit	12 Volt Wiring Kit	12 Volt Wiring Kit
Approximate Weight	495 lb	565 lb	685 lb	730 lb
Options				
Water Kit	Yes	Yes	Yes	Yes
Manual Angle	Yes	Yes	Yes	Yes



Your TMW Dealer

Thielen Machine & Welding
TMW

Attachments
 320-453-3525

522 Meeker Ave. E. • Eden Valley, MN 55329