

Bale Grapple



Features and Options



- Ideal for grabbing large bales, brush and other debris
- Heavy duty grapple with two hydraulic cylinders
- Powder coat finish
- Bolt on grapple tips
- Cylinder guards to protect hoses
- Quick Tach mounts for skid steer, global mount and JD 600/700 Series
- Mounts for other tractors and telehandlers are available. Call for pricing.

75" Large Grapple Opening

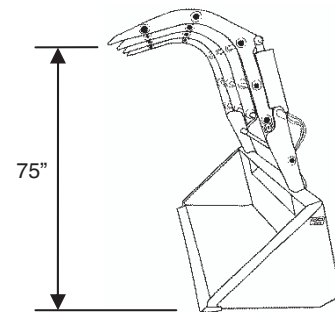
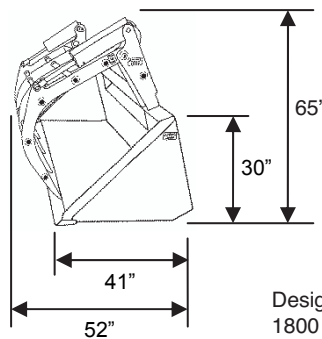
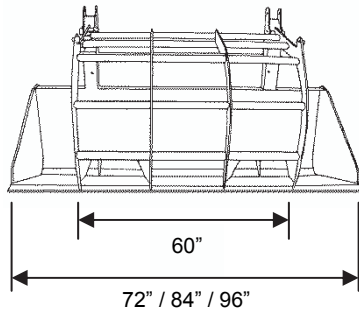
www.tmwattachments.com



Skid Loader Attachments

Bale Grapple Specifications

Model	BG72	BG84	BG96
Overall Bucket Width	72"	84"	96"
Bucket Depth	41"	41"	41"
Height of Bucket Back	30"	30"	30"
Height with Grapple Closed	65"	65"	65"
Grapple Opening	75"	75"	75"
Overall Grapple Width	60"	60"	60"
Grapple Tine Spacing	20"	20"	20"
Approx. Weight of Attachment	1030 lbs	1200 lbs	1370 lbs
Cutting Edge 1060 Material	Yes	Yes	Yes
Optional Bolt on Cutting Edge - 3/4" x 8" Double Bevel	Yes	Yes	Yes
Cylinder Specifications			
Bore	2"	2"	2"
Stroke	10"	10"	10"
Rod Diameter	1.125"	1.125"	1.125"
Cylinder Pressure Rating	3000 lbs	3000 lbs	3000 lbs
Hydraulic Hose Rating	4500 psi	4500 psi	4500 psi



Designed to be used on skid steer loaders with 1800 lb or more lifting capacity. Specifications and designs are subject to change without notice.

Your TMW Dealer



522 Meeker Avenue • East Eden Valley, MN 55329
www.tmwattachments.com



© 2012 TMW