

Snow/Light Material Bucket



High Capacity Bucket



Makes easy work of snow removal and light material handling throughout any work project.

- Light Material Handling
- Snow Removal
- Perforated Back for Visibility of Cutting Edge
- Available in Four Widths

Thielen Machine & Welding
TMW

The Snow/Light Material Bucket is the ideal attachment for snow removal and light material handling!

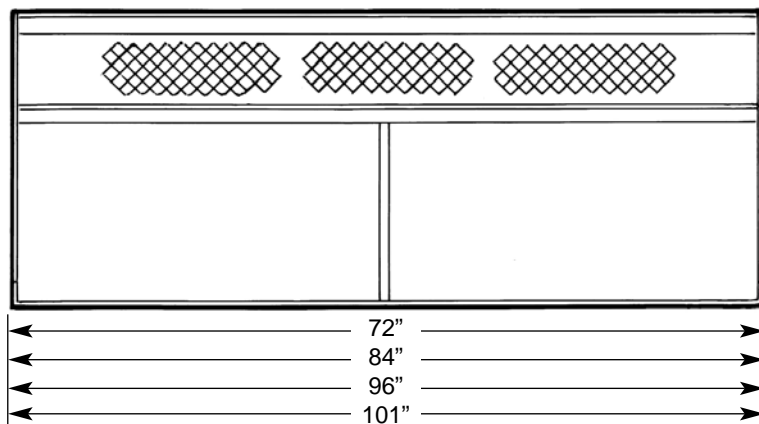
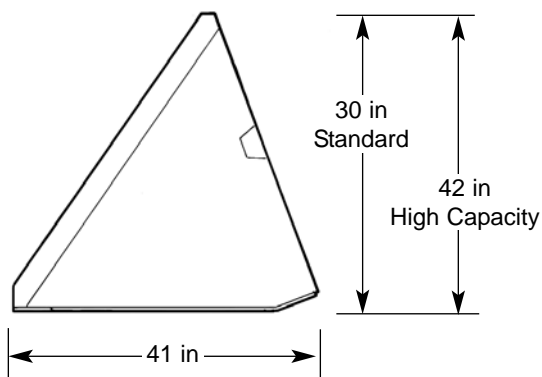
Attachments
320-453-3525

Skid Loader Attachments

Snow/Light Material Bucket Specifications

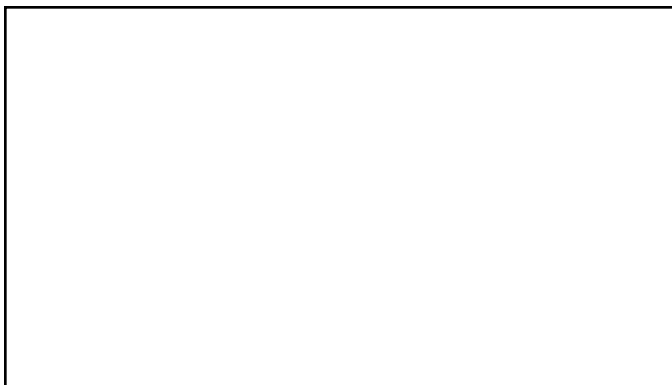
Model	SB72	SB84	SB96	SB101
Overall Bucket Width	72"	84"	96"	101"
Depth of Bucket	41"	41 "	41 "	41"
Bucket Height - Standard	30"	30 "	30 "	30"
Bucket Height - High Capacity	42"	42"	42"	42"
Approx Weight - Standard	600 lb	660 lb	720 lb	775 lb
Approx Weight - High Capacity	645 lb	743 lb	805 lb	860 lb
Cutting Edge of 1060 Material	3/4" X 6"	3/4" X 6"	3/4" X 6"	3/4" X 6"
Options				
Optional Bolt on Cutting Edge (1060 Material)	3/4" X 8"	3/4" X 8"	3/4" X 8"	3/4" X 8"
(3/4" x 8" Double Bevel)				

Snow/Light Material Bucket Dimensions



- Designed to be used on skid steer loaders with 1300 lb or more lifting capacity.
- Specifications and designs are subject to change without notice.

Your **TMW Dealer**



522 Meeker Ave. E. • Eden Valley, MN 55329