

Industrial Skeleton Grapple Bucket



Industrial Skeleton Bucket



The Industrial Skeleton Buckets allow you to sift away dirt and smaller material while carrying large rocks and brush.

- Digging
- Rock Picking
- Asphalt Removal
- Concrete Removal
- Small Tree Removal
- Stump Removal
- Brush Removal
- Demolition Clean-up

Thielen Machine & Welding
TMW

The Industrial Skeleton Bucket is an ideal attachment to help make rock and debris removal easy!

Attachments

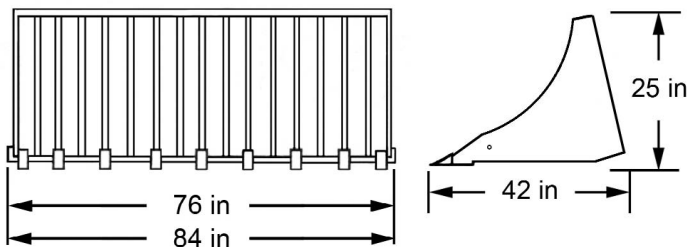
320-453-3525

Skid Loader Attachments

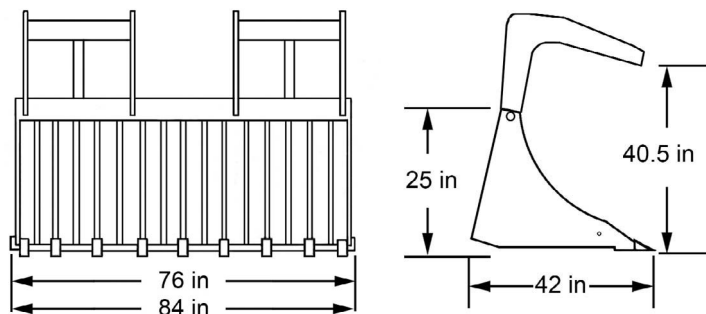
Industrial Skeleton Bucket & Industrial Skeleton Grapple Bucket Specifications

Model	ISB76	IS84	ISG76	ISG84
Overall Bucket Width	76"	84"	76"	84"
Depth of Bucket	42"	42"	42"	42"
Height of Bucket Back	25"	25"	25"	25"
Height w/ Grapple Closed	NA	NA	32"	32"
Overall Grapple Width	NA	NA	63"	71"
Grapple Width Each	NA	NA	21.5"	21.5"
Grapple Opening	NA	NA	40.5"	40.5"
Approx Weight of Attachment	865 lb	956 lb	1230 lb	1330 lb
Cutting Edge of 1060 Material				
Bar Size 1" x 1.5" Flat Bar				
Bar Spacing	3"	3"	3"	3"
Forged Shank Tooth w/Replaceable Tip	10	11	10	11
Cylinder Specifications				
Bore	NA	NA	2.5"	2.5"
Stroke	NA	NA	10"	10"
Rod Diameter	NA	NA	1.25"	1.25"
Hydraulic Hoses 4500 PSI	NA	NA		
Nylon Hose Protector Sleeves	NA	NA		

Industrial Skeleton Bucket

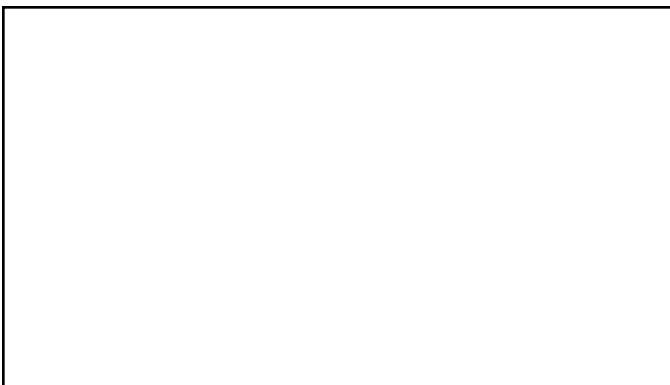


Industrial Skeleton Grapple Bucket



- Designed to be used on skid steer loaders with 1800 lb or more lifting capacity.
- Specifications and designs are subject to change without notice.

Your TMW Dealer



Thielen Machine & Welding

Attachments
 320-453-3525

522 Meeker Ave. E. • Eden Valley, MN 55329