

# Tree Shears



## Vertical Cutting Application



- Near-Ground Cutting
- Cuts Trees up to 12" in Diameter
- Vertical / Horizontal Cutting Position
- Powerful Shear Cylinder
- Brush Guard for Safety

*Makes easy work of any size tree up to 12" in diameter for easy removal of waste or creating custom length firewood.*

*The Tree Shear is the ideal attachment for clearing wooded lots or individual trees!*

Thielen Machine & Welding  
**TMW**

**Attachments**  
320-453-3525

Skid Loader Attachments

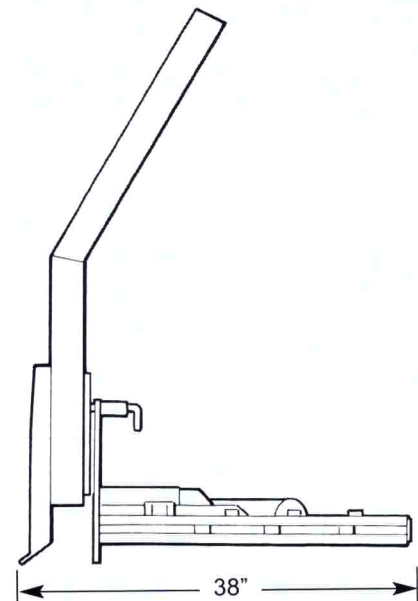
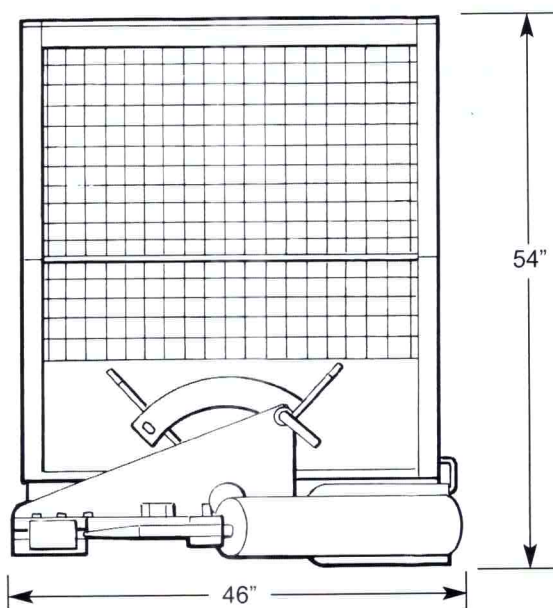
# Tree Shears

## Specifications

Dimensions	
Height	54"
Width	46"
Depth	38"
Maximum Cutting Capacity	12"
Weight of Attachment	820 lb
Cylinder Specifications	
Bore	5"
Stroke	12"
Rod Diameter	2.5"

Options
Shearing Horizontal / Vertical

### Tree Shears Dimensions



- Designed to be used on skid steer loaders with 1300 lb or more lifting capacity.
- Specifications and designs are subject to change without notice.

Your TMW Dealer

*Thielen Machine & Welding*  
**TMW**

**Attachments**  
 320-453-3525

**522 Meeker Ave. E. • Eden Valley, MN 55329**