

Standard Rod Bucket



Grapple Rod Bucket



These buckets allow you to sift away dirt and smaller material while carrying large rocks and clumps.

- Digging
- Rock Picking
- Asphalt Removal
- Concrete Removal
- Small Tree Removal
- Stump Removal
- Brush Removal

Skid Loader Attachments

Thielen Machine & Welding
TMW

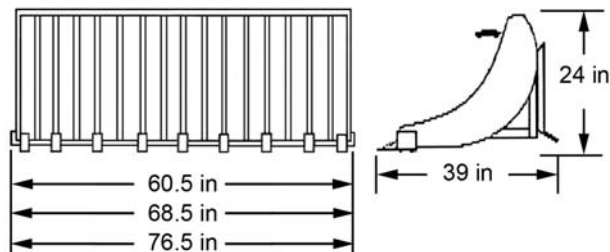
The Rod Bucket is an ideal attachment that makes rock and debris removal easy!

Attachments
320-453-3525

Rod Bucket & Grapple Rod Bucket Specifications

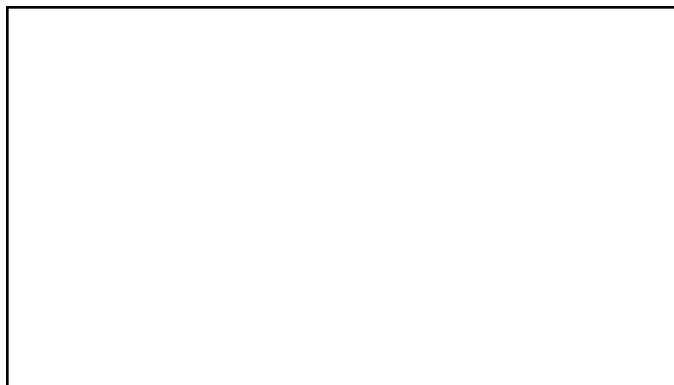
Model	RB60	RB68	RB76	GRB60	GRB68	GRB76
Overall Bucket Width	60.5"	68.5"	76.5"	60.5"	68.5"	76.5"
Depth of Bucket	39"	39"	39"	39"	39"	39"
Height of Bucket Back	24"	24"	24"	24"	24"	24"
Height w/ Grapple Closed	NA	NA	NA	31"	31"	31"
Overall Grapple Width	NA	NA	NA	54.5"	62.5"	70.5"
Grapple Width Each	NA	NA	NA	21.5"	21.5"	21.5"
Grapple Opening	NA	NA	NA	37"	37"	37"
Approx Weight of Attachment	530 lb	600 lb	645 lb	890 lb	940 lb	990 lb
Cutting Edge of 1060 Material	3/4" X 6"	3/4" X 6"	3/4" X 6"	3/4" X 6"	3/4" X 6"	3/4" X 6"
Rod Size	7/8"	7/8"	7/8"	7/8"	7/8"	7/8"
Rod Spacing	3"	3"	3"	3"	3"	3"
Cast Shank Tooth w/Replacement Tip	8	9	10	8	9	10
Cylinder Specifications						
Bore	NA	NA	NA	2.5"	2.5"	2.5"
Stroke	NA	NA	NA	10"	10"	10"
Rod Diameter	NA	NA	NA	1.25"	1.25"	1.25"
Hydraulic Hoses 4500 PSI	NA	NA	NA			
Nylon Hose Protector Sleeves	NA	NA	NA			

Rod Bucket

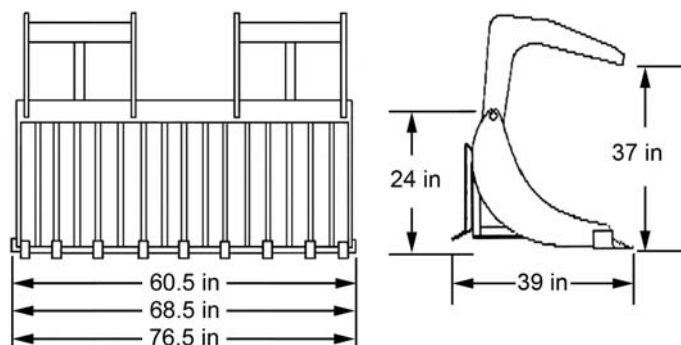


- Designed to be used on skid steer loaders with 1300 lb or more lifting capacity.
- Specifications and designs are subject to change without notice.

Your TMW Dealer



Grapple Rod Bucket



Thielen Machine & Welding
TMW

Attachments
 320-453-3525

522 Meeker Ave. E. • Eden Valley, MN 55329