

Concrete Hopper



Versatile Design



- Fits most Forklifts and Telehandlers
- 3/4 Yard Capacity
- Hydraulic or Manual Discharge Gate
- Slips over Pallet Fork Tines

Makes easy work of small concrete projects in hard to reach locations on any work project.

The Concrete Hopper is the ideal attachment to reach difficult locations when completing concrete projects!

Thielen Machine & Welding
TMW

Attachments
320-453-3525

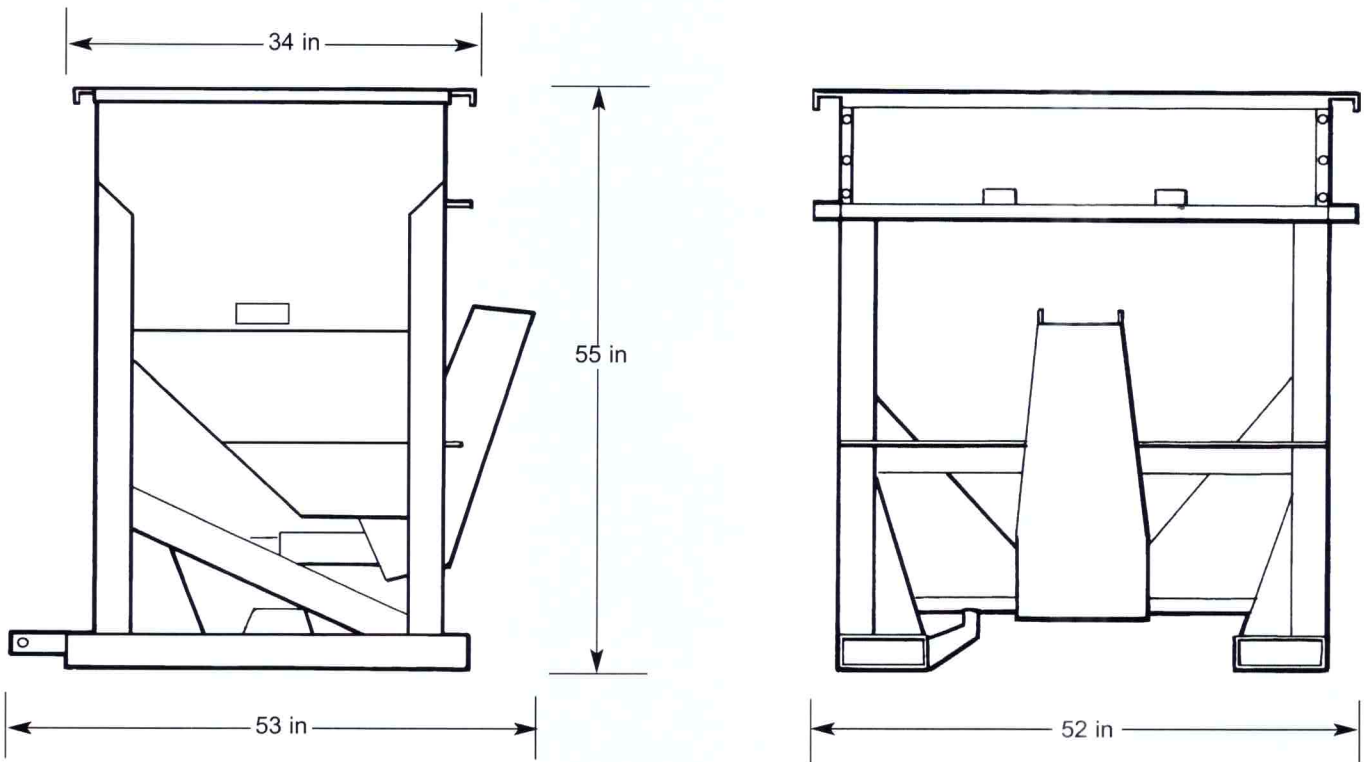
Skid Loader Attachments

Concrete Hopper

Specifications

Model	
Concrete Hopper Width	52"
Concrete Hopper Length (Overall)	53"
Concrete Hopper Height	55"
Approx Weight of Concrete Hopper	530 lb

Concrete Hopper Dimensions



- Designed to be used on rough terrain forklifts and telehandlers. See machine owner's manual for rated lifting capacity.
- Specifications and designs are subject to change without notice.

Your TMW Dealer



Thielen Machine & Welding
TMW

Attachments
 320-453-3525

522 Meeker Ave. E. • Eden Valley, MN 55329